

## FACT REPORT

Install Confidence.<sup>™</sup>  
Install Rain Bird<sup>®</sup>  
1800 Spray Heads.



**RAIN BIRD**<sup>®</sup>

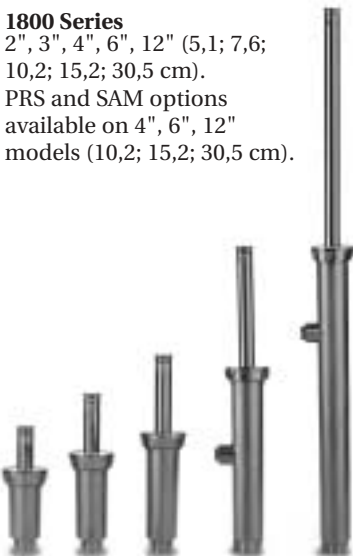
145 North Grand Avenue  
Glendora, CA 91740-0037 U.S.A.

**RAIN BIRD**<sup>®</sup>

### 1800 Series

2", 3", 4", 6", 12" (5,1; 7,6;  
10,2; 15,2; 30,5 cm).

PRS and SAM options  
available on 4", 6", 12"  
models (10,2; 15,2; 30,5 cm).



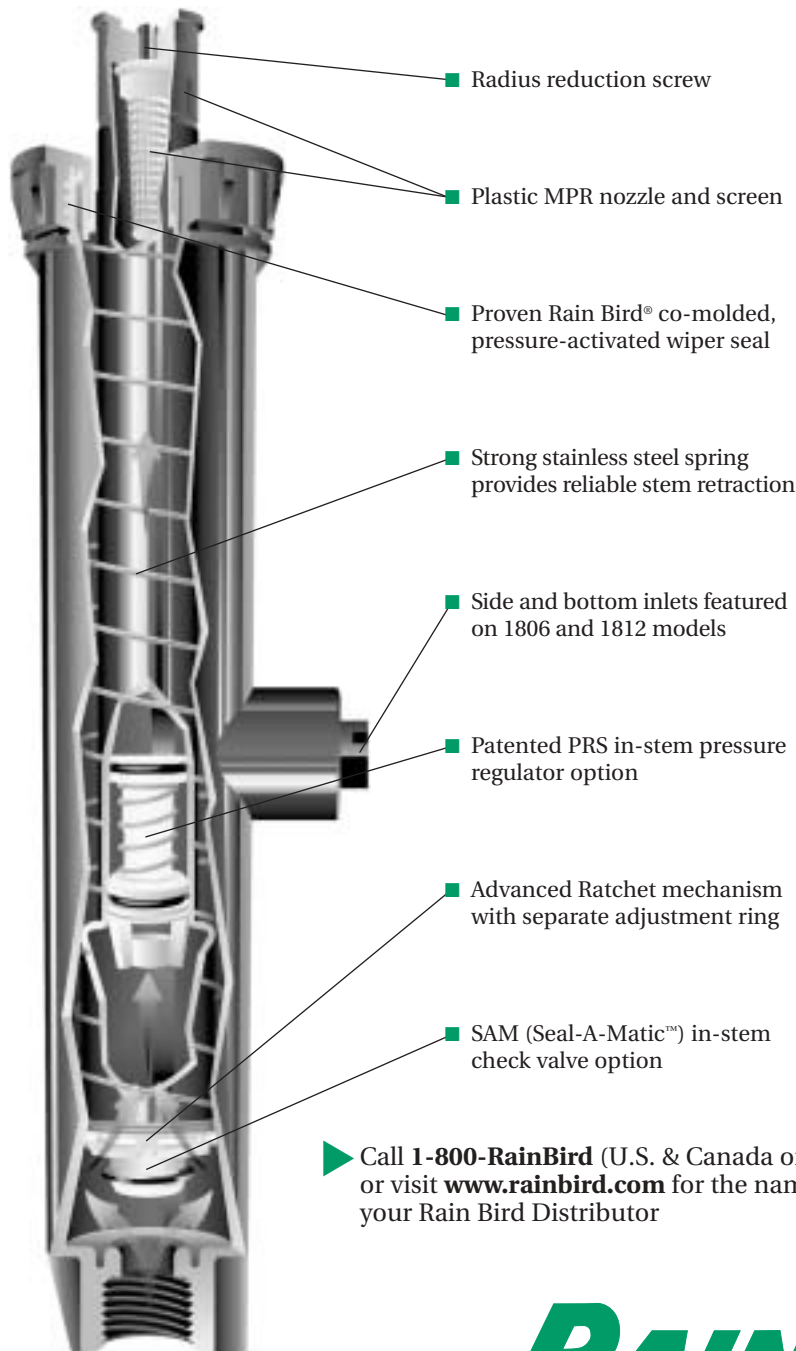
*Install 25 years of unrivaled performance.*  
**Install 25 years of unrivaled performance.**

Trust that when you install Rain Bird<sup>®</sup> 1800 Spray Heads, you can confidently expect that these products will be more durable than the competition, will be far more reliable, and will deliver superior performance time after time after time. Here are just a few reasons why:

- Constructed of time-proven UV-resistant plastic and corrosion-resistant stainless steel parts, assuring long product life.
- 73 different nozzles available—plus a complete range of pop-up heights with SAM and PRS features.
- Five-year trade warranty reinforces Rain Bird's commitment to product quality and assures customer peace of mind.
- Proven co-molded wiper seal that completely eliminates a potential leak path (between the cap and seal), retains its shape cycle after cycle, and has the lowest "flow-by" which allows more heads to be installed on the same valve.
- Advanced ratchet mechanism employs a separate adjustment ring which prevents wear and reliably maintains alignment.

# Install the proof.

- **Cycle surge durability test results prove the Rain Bird 1804 Spray Head is more than three times stronger than the competition.** The 1804 Spray Head lasted an average of 7,338 cycles while Competitor A lasted an average of only 2,295 cycles and Competitor B lasted an average of only 1,709 cycles.
- **Accelerated life cycle test results prove the Rain Bird 1804 Spray Head is more than twice as reliable as the competition.** All 1804 Spray Heads tested were still operating after 14,400 cycles. Competitor A started failing at 4,330 cycles and Competitor B started failing at 6,325 cycles.
- **25 years of field installations and recent test results prove that the Rain Bird 1800-SAM-PRS Series delivers unsurpassed performance when compared to its competition.** The 1800-SAM Series prevents drainage from spray heads installed at lower elevations, which conserves water and eliminates landscape damage due to flooding and/or erosion. The 1800-PRS Series ensures optimal system performance and restricts water loss by up to 70% if the nozzle is removed or damaged.

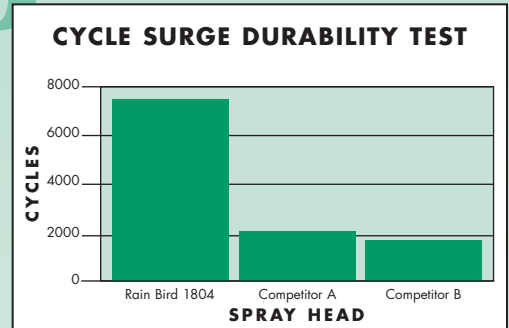


► Call 1-800-RainBird (U.S. & Canada only) or visit [www.rainbird.com](http://www.rainbird.com) for the name of your Rain Bird Distributor

## Going head-to-head against the competition

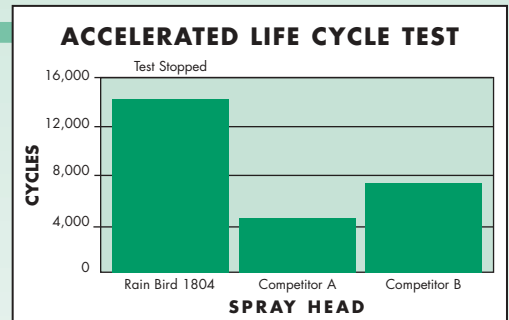
Rain Bird and competitive spray heads are routinely subjected to the most stringent testing procedures in the industry. Test results from these side-by-side comparisons prove that Rain Bird 1804 Spray Heads consistently outperform the competition.\*

### 3 Times More Durable



*Cycle Surge is a measure of material endurance. Spray heads continuously cycled at 200 psi (14 bar), 3 seconds on, 2 seconds off.*

### 2 Times More Reliable



*The Accelerated Life Cycle Test is a measure of reliability. Spray heads continuously cycled at 90 psi (6,3 bar), 30 seconds on, 30 seconds off for more than 16,000 cycles.*

### #1 in Performance

- The Rain Bird 1800-SAM Series outperforms all competitors with an average hold back of 14 feet (4,3 m).
- The Rain Bird 1800-PRS Series maintains a more consistent outlet pressure of 30 psi (2,1 bar), across a wider range of inlet pressures than the competition.

*\*Based on tests conducted at Rain Bird's Product Research Center in Glendora, CA. Test results reflect a comparison of Rain Bird's products with those of its principal competitors.*

# RAIN BIRD®